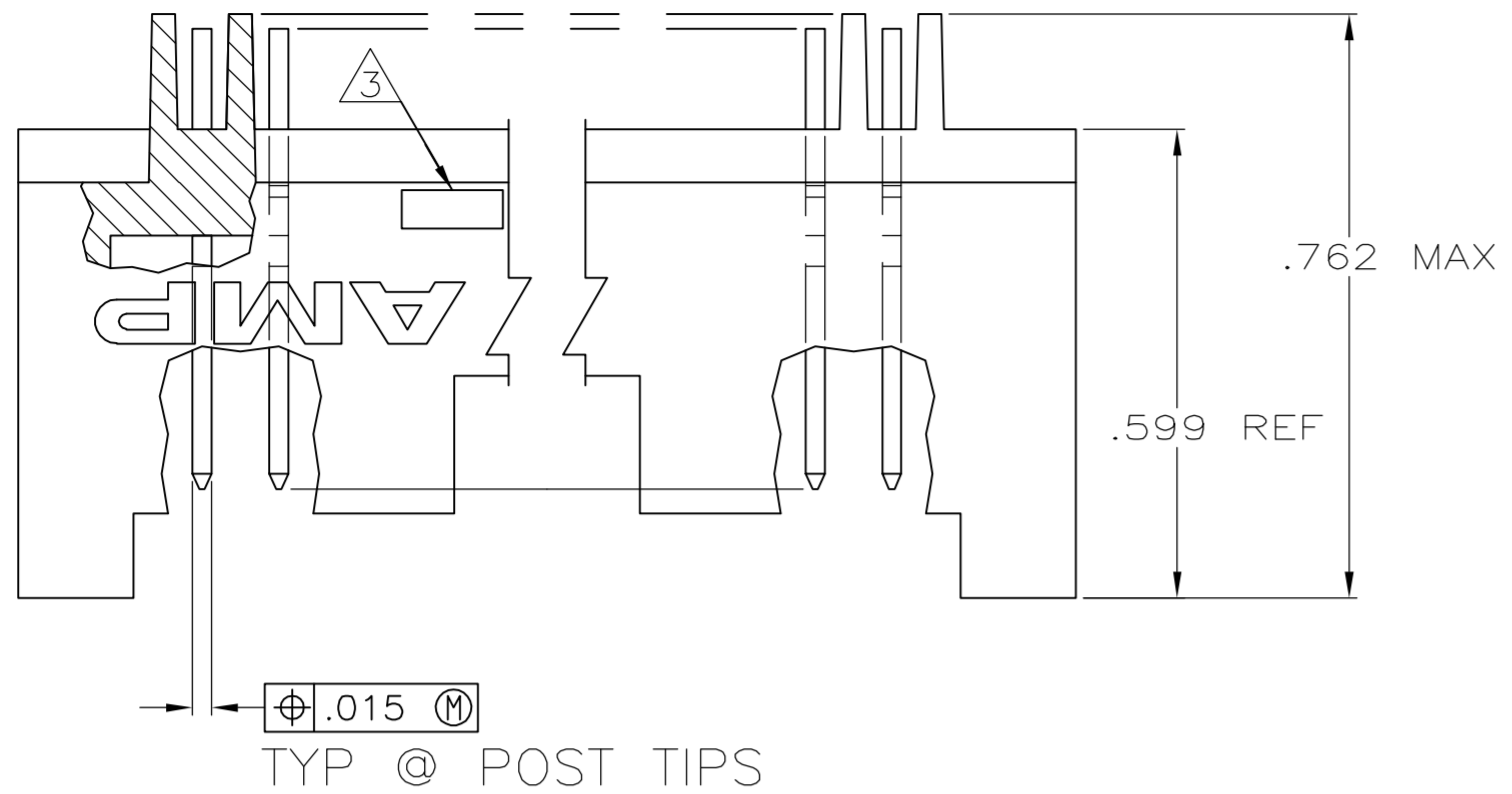
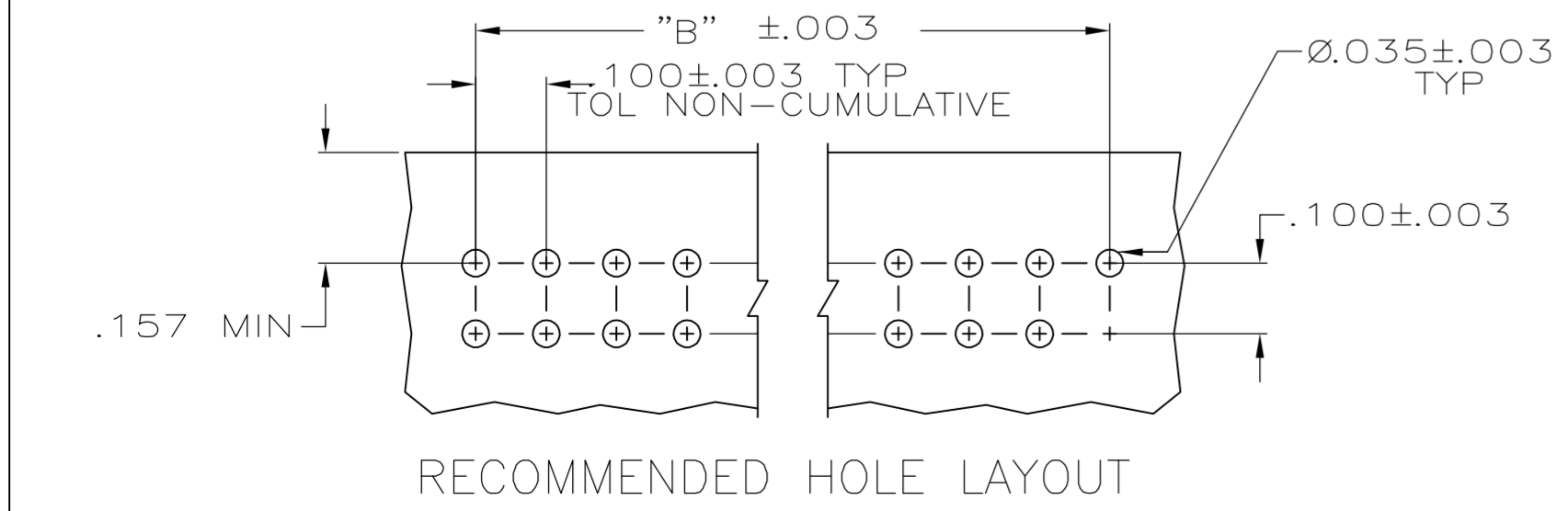
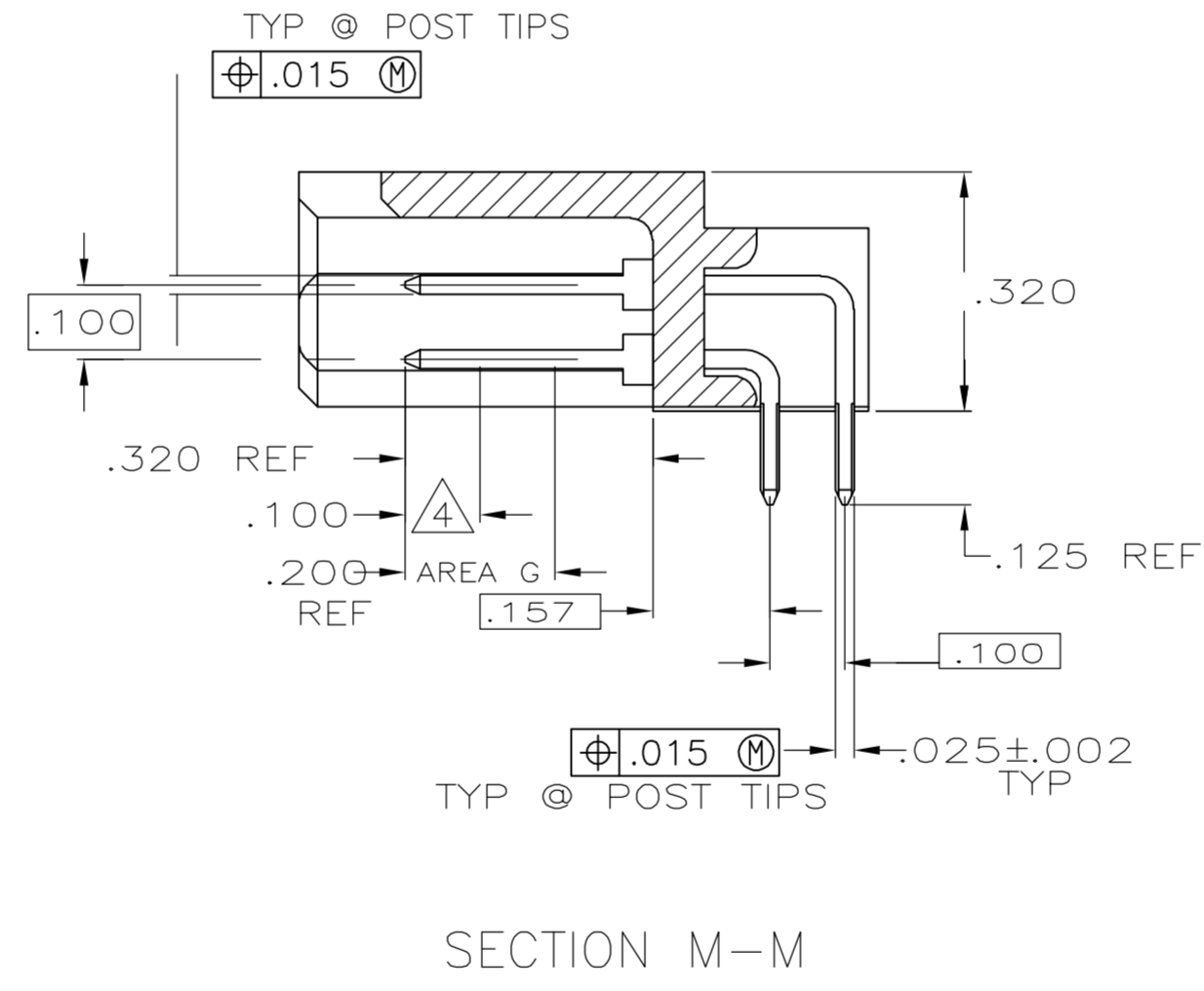
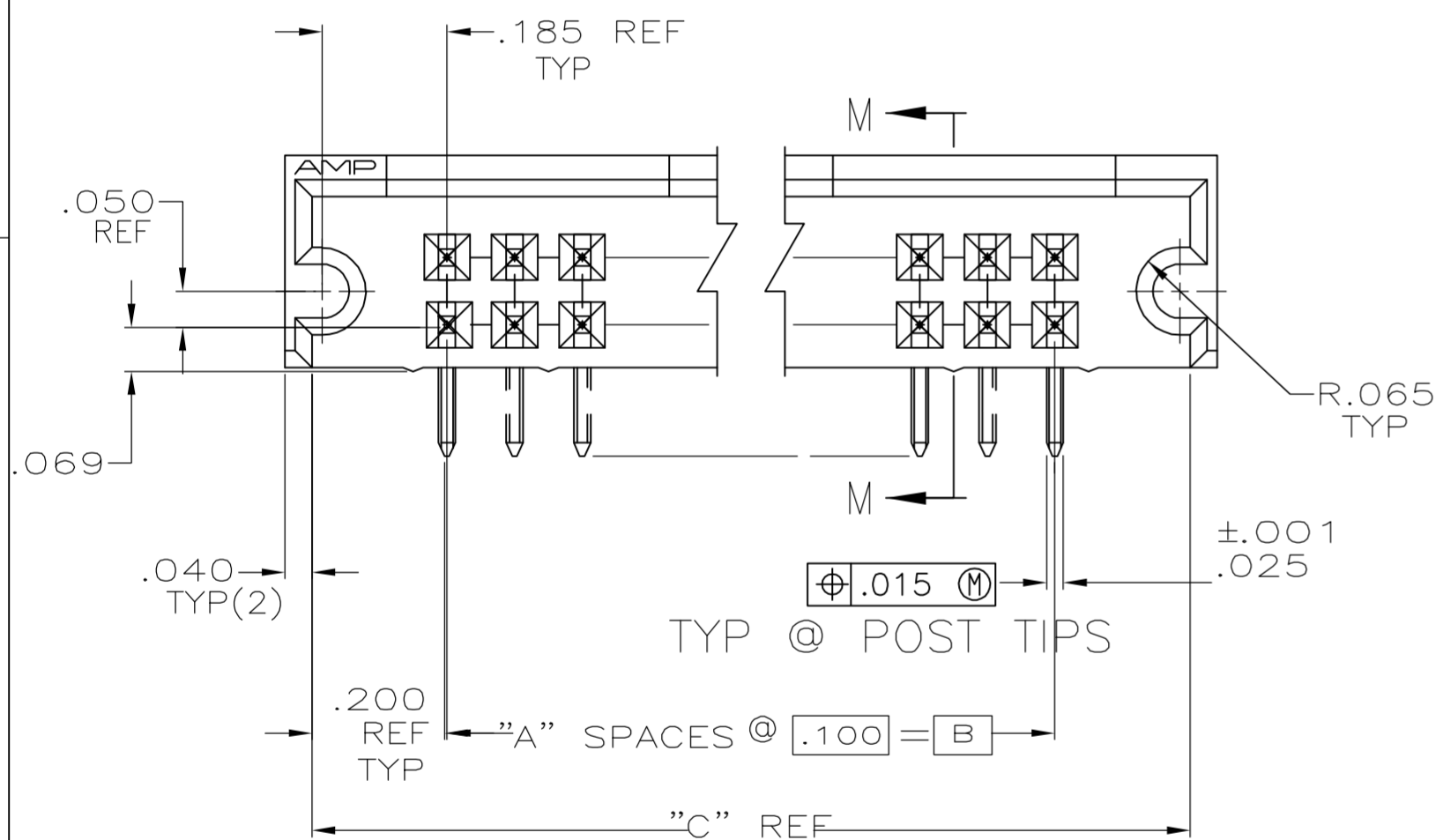


THIS DRAWING IS UNPUBLISHED. RELEASED FOR PUBLICATION
 © COPYRIGHT BY TYCO ELECTRONICS CORPORATION. ALL RIGHTS RESERVED.

LOC	DIST	REVISIONS					
AD	39	P	LTR	DESCRIPTION	DATE	DWN	APVD
		P1		ECO-05-7481	13FEB06	MB	JO



- 1 PART NO. OBSOLETE
- 2 .000015 GOLD ON CONTACT AREA G
.000100-.000200 BRIGHT TIN-LEAD
ON SOLDER LEADS, ALL OVER
.000050 NICKEL
- 3 RECESSED DATE CODE AND CSA LOGO
- 4 POINT OF MEASUREMENT FOR
PLATING THICKNESS
- 5 .000015 GOLD ON CONTACT AREA G
.000100-.000200 MATTE TIN ON
SOLDER LEADS, ALL OVER .000050
NICKEL
- 6 ROHS 2002/95/EC COMPLIANT



REMARKS	FINISH	"C"	"B"	"A"	NO OF POSN	PART NUMBER
1		.800	.400	4	10	7-102589-2
1		10.300	9.900	99	200	7-102589-1
1		7.300	6.900	69	140	7-102589-0
1		6.800	6.400	64	130	6-102589-9
1		4.600	4.200	42	86	6-102589-8
1		3.900	3.500	35	72	6-102589-7
1		5.800	.700	7	16	6-102589-6
5		5.800	5.400	54	110	6-102589-5
1		4.800	4.400	44	90	6-102589-4
1		2.300	1.900	19	40	6-102589-3
1		1.300	.900	9	20	6-102589-2
1		6.300	5.900	59	120	6-102589-1
1		3.800	3.400	34	70	6-102589-0
1		5.100	4.700	47	96	5-102589-9
1		.900	.500	5	12	5-102589-8
1		3.300	2.900	29	60	5-102589-7
1		1.500	1.100	11	24	5-102589-6
1		2.800	2.400	24	50	5-102589-5
1		1.800	1.400	14	30	5-102589-4
1		5.300	4.900	49	100	5-102589-3
1		2.100	1.700	17	36	5-102589-2
1		4.300	3.900	39	80	5-102589-1
1		.800	.400	4	10	2-102589-2
1		10.300	9.900	99	200	2-102589-1
1		7.300	6.900	69	140	2-102589-0
1		6.800	6.400	64	130	1-102589-9
1		4.600	4.200	42	86	1-102589-8
1		3.900	3.500	35	72	1-102589-7
1		1.100	.700	7	16	1-102589-6
1		5.800	5.400	54	110	1-102589-5
1		4.800	4.400	44	90	1-102589-4
1		2.300	1.900	19	40	1-102589-3
1		1.300	.900	9	20	1-102589-2
1		6.300	5.900	59	120	1-102589-1
1		3.800	3.400	34	70	1-102589-0
2		5.100	4.700	47	96	102589-9
2		.900	.500	5	12	102589-8
2		3.300	2.900	29	60	102589-7
2		1.500	1.100	11	24	102589-6
2		2.800	2.400	24	50	102589-5
2		1.800	1.400	14	30	102589-4
2		5.300	4.900	49	100	102589-3
2		2.100	1.700	17	36	102589-2
2		4.300	3.900	39	80	102589-1

THIS DRAWING IS A CONTROLLED DOCUMENT.

DWN J KNAUB 12-2-93
 CHK H PALEY 12-20-93
 APVD - NAME
 PRODUCT SPEC
 APPLICATION SPEC

MATERIAL: HSG: FLAME RETARDANT POLYESTER POST: PHOS BRONZE
 FINISH: POSTS: SEE TABLE

WEIGHT: -
 SCALE: 4:1

SIZE: A2
 CAGE CODE: 00779
 DRAWING NO: C=102589

RESTRICTED TO: -
 SHEET: 1 of 1
 REV: P1

tyco Electronics
 Tyco Electronics Corporation
 Harrisburg, PA 17105-3608

ASSY, HEADER, MOD II, .025 SQ POSTS
 .100 X.100CL